



Compact Ball Valves

1/2" to 4" - QVC Series Industrial-Gray and White PVC

1/2" to 2" - QTA Series Industrial-True Union, Gray and White PVC



Rugged, Compact Design

Hayward's QVC and QTA Series Compact Ball Valves feature a rugged, all-plastic design found only on higher cost ball valves. Features such as Santoprene (TPV) seats, full porting and a 150 PSI pressure rating are all standard on every size compact ball valve.

Cost-Sensitive Applications

This compact ball valve is perfect for OEM and other applications that require a reliable ball valve at an economical price. This compact ball valve has been designed and tested to make certain it will perform year in and year out in the most demanding applications without leakage or failure. The internal components of a compact ball valve are completely encapsulated within the valve body in a one-step manufacturing process. There is absolutely no danger of leakage through assembled parts. This also means that the valve never requires adjustment since all internal components are sealed inside the one-piece valve body. This compact ball valve is ready to be put into service right out of the box.

Lightweight and Compact

Compact ball valves are designed to fit into spaces too small for other valves. They are about 1/3 the overall size of a plastic true union valve and they weigh an average of 50% less. This makes them ideal for skid-mounted and other applications where space and weight are critical considerations.

True Union Design

This makes these valves very easy to maintain by allowing for easy removal from a piping system without breaking down piping connections. Just unscrew the two assembly nuts and lift the valve body out of the line.

Can't Rust, Won't Corrode

Their all-plastic construction means they will never fail, stick, or jam because of rusted or corroded parts. And they'll work in places and environments where metal valves must be painted or coated just to survive.

Features

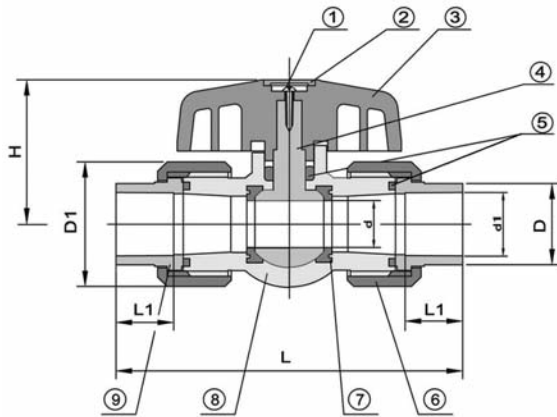
- Rated at a Full 150 PSI
- Santoprene (TPV) Seats
- EPDM Seals
- No Internal Parts to Replace
- Easy 1/4-Turn Operation
- Perfect for OEM Applications
- Socket or Threaded Pipe Connections

Options

- True Union End Connections



Technical Information – True Union Compact Ball Valves



1/2" - 2" Parts List & Dimensions

Part	Materials
1. Screw	Steel
2. Cap	ABS
3. Handle	ABS
4. Ball	PVC, PP
5. O-Ring	EPDM
6. Nut	PVC
7. Seat	TPV
8. Body	PVC
9. Adaptor	PVC

Dimensions - Inches / Millimeters

Size	d1	D	D1	L1	L	H
1/2 / 20	21.3	1.07 / 27.1	1.61 / 41.0	.69 / 17.4	4.3 / 108.8	1.78 / 43.9
3/4 / 25	26.7	1.33 / 33.7	1.97 / 50.0	.76 / 19.3	4.6 / 117.0	2.01 / 50.6
1 / 32	33.4	1.64 / 41.7	2.32 / 59.0	.97 / 24.6	5.3 / 135.3	2.26 / 58.4
1-1/4 / 40	42.2	2.04 / 51.8	2.75 / 69.9	1.13 / 28.6	6.2 / 156.6	2.66 / 67.5
1-1/2 / 50	48.3	2.43 / 61.7	3.37 / 85.5	1.30 / 33.0	6.9 / 176.4	2.91 / 75.4
2 / 63	60.3	3.09 / 78.5	4.13 / 104.9	1.59 / 40.5	8.0 / 202.3	3.32 / 94.6

Selection Chart

Size	Material	End. Conn.	Seals	Pressure Rating
1/2" - 2"	PVC (Gray or White)	Socket, Threaded or Flanged	EPDM	150 PSI @ 70°F

Pressure Loss Calculation Formula

$$\Delta P = \left[\frac{Q}{Cv} \right]^2$$

ΔP = Pressure Drop
Q = Flow in GPM
Cv = Flow Coefficient

Operating Temperature/Pressure

